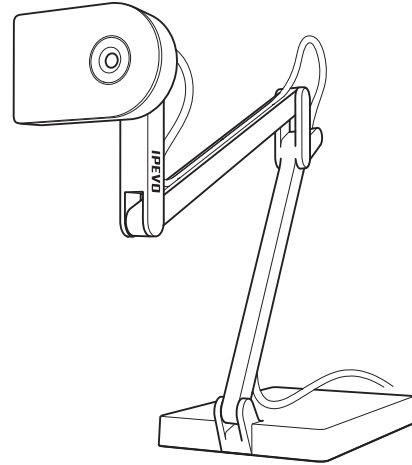


Ziggi

USB Document Camera

Quick Start Guide



IPEVO
www.ipevo.com

Customer Service (USA)
Email: cs@ipevo.com
Tel: +1-408-490-3085

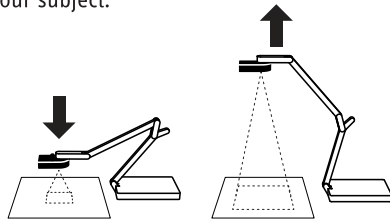
Customer Service (International)
Email: service@ipevo.com
Tel: +886-2-5550-8686

The Basics

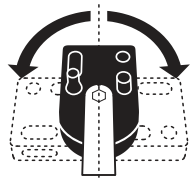
Ziggi captures a variety of subjects—including standard letter-sized documents and three-dimensional objects—and presents a live video image through the P2V software.

Positioning Ziggi

The multi-jointed, weighted stand allows you to change the height and position of the camera to suit your subject.



Additionally, the camera head can swivel with 270° of freedom to customize your orientation.



Installation

Congratulations on your purchase of the Ziggi USB Document Camera. This Quick Start Guide is intended to help you begin using the camera right away.

Your package should contain the following:

- Ziggi camera
- Anti-Glare Shield
- CD-ROM with P2V software and user manual (in .pdf format)
- Quick Start Guide (this document)

Note: For a complete explanation of Ziggi's features, please refer to the user manual included on your CD-ROM.

Ziggi is compatible with both PC and Mac, and can be installed in just a few simple steps:

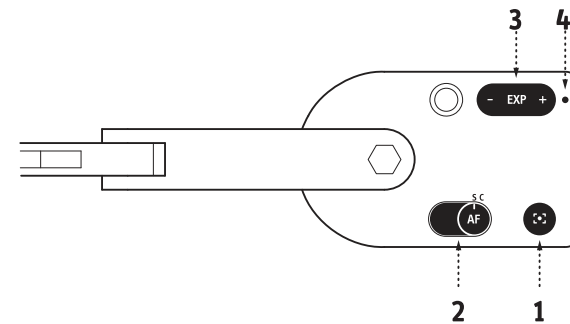
1. Insert the CD-ROM into your computer's drive. Follow the prompts to complete the installation of P2V software.

Note: If you have previously purchased IPEVO's Point 2 View camera, you may need to uninstall the older version of P2V on your computer prior to this installation.

2. Connect Ziggi's USB cord to any open USB port on your computer.

3. Launch the P2V software. A screen containing a live video image from your Ziggi should appear. The Ziggi is now ready to use.

Camera Elements



1. Focus button: will bring the subject into sharp focus after a few seconds

2. Autofocus switch: may be set to Single (S) or Continuous (C)

3. Exposure toggle: provides on-the-fly exposure customization

4. LED: if the Ziggi is on and providing an image, this LED will turn white

P2V Software

There are three modes in the P2V software, which may be switched between with buttons on the left-hand side tab:

- **Camera (default):** provides the live video image from the camera
- **Review:** review snapshots you have taken
- **Full screen:** the Ziggi image will take up the entire screen. This is particularly useful for projecting the image in classroom or conference settings



Taking Snapshots

You can take snapshots of the live video image at any time. These snapshots are stored as .jpg files on your computer's hard drive. There are two ways to take snapshots:

- Hit "Enter" (Windows) or "Return" (Macintosh) while using the P2V software in Camera mode
- Click the green camera icon in the lower right-hand corner of the software

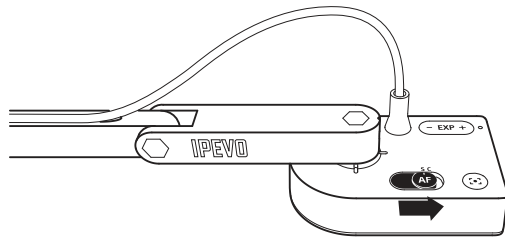
You can then review your snapshots by clicking on Review mode in the left-hand tab of the software. Snapshots will be presented as thumbnail images.



Focus

To achieve sharp focus, do one of the following:

- Change focus to Continuous, via the Autofocus switch. Ziggi will now continuously attempt to find focus



- Press the Focus key. Ziggi will find the optimum focus
- Click the four-cornered "crosshair" icon in the lower right-hand corner of the software. Ziggi will find the optimum focus



Exposure

To achieve proper exposure, do one of the following:

- Naturally change exposure by using a lamp, brightening or darkening the room
- Artificially change exposure by using the Exposure toggle, either on the camera head itself or via the Exposure tab ① in the software menu. 1 is maximum darkening; 15 is maximum brightening. 4 is default
- Let Ziggi determine the best exposure by selecting "On" in the Auto Exposure tab ② in the software menu. The sun icon in the menu tab will change to green

Please refer more detail in user manual

If you are experiencing unwanted glare in the image, consider using the Anti-Glare Shield. Slip the Anti-Glare Shield into the underside of the camera head by aligning the grooves.

