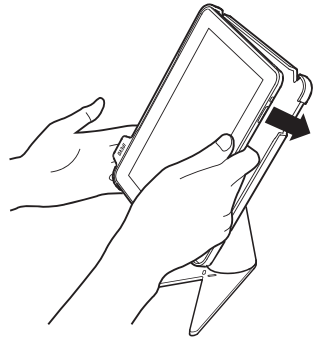


Operating Instructions

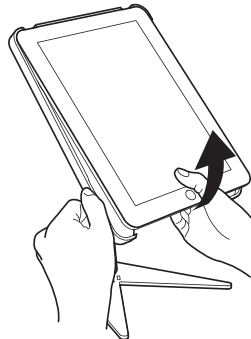
Perch

Quick Start Guide



Inserting iPad®

Place one side of your iPad® into the holder under the ribbing. Then, push the other side of the iPad® firmly into the holder. Ensure both sides are securely tucked beneath the ribbing.

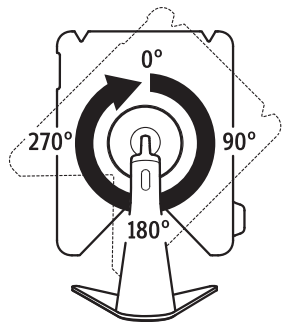


Removing iPad®

Hold the grip tab, then grasp the back of the iPad® and lift. Perch is designed with a triangular cut-out to make this action easy.

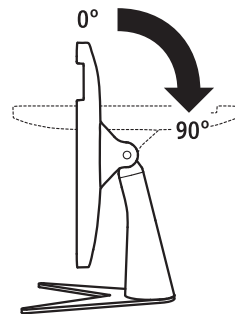


TYPE



Choose Portrait or Landscape

Rotate the holder in any direction for portrait or landscape orientation. Choose what's best for your application. 360 degrees of rotation is possible.

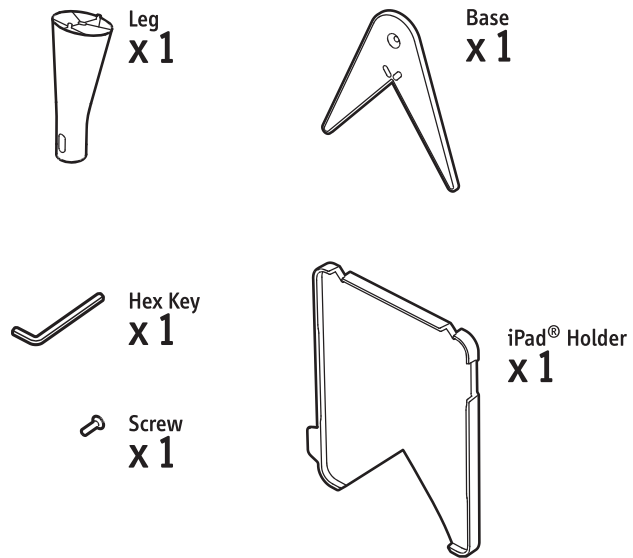


Customize Your Viewing Angle

Grab the iPad® by the corners and simply tilt the holder up or down to adjust the iPad® to your preferred viewing angle.

IPEVO
www.ipevo.com

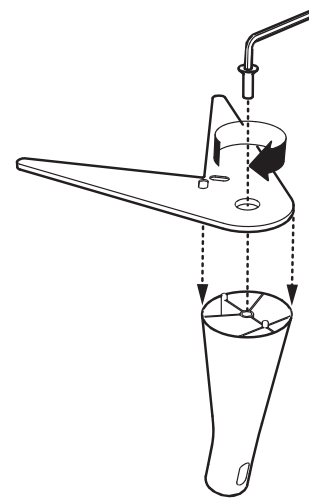
Package Contents



This package contains a Perch stand - S Type (some assembly required).
It also includes one hex key and one screw to assemble the product.

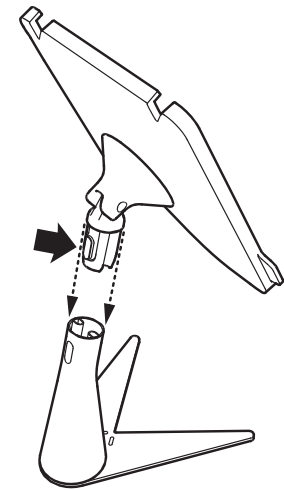
*iPad® not included

Assembly Instructions



1

Assemble base to leg with included hex (Allen) key and screw



2

Attach holder by depressing the button and inserting into the leg until snap-fit