

Quick Start Guide

HDMI to VGA Converter



Thank you for your purchase of the HDMI to VGA Converter. This guide shows you how to begin using your Converter immediately.

Package Contents

Your package comes with the following:

- HDMI to VGA Converter
- AC adapter



Note: VGA cable, 3.5mm audio cable and HDMI cable, which may be necessary depending on your setup, are NOT included.

Overview

The HDMI to VGA Converter gives you an easy way to connect your Apple TV to VGA display devices like computer monitors and projectors. The Converter transforms HDMI signal into VGA and Audio signal. Please note that the Converter does not work in the opposite direction. It does not convert VGA signal to HDMI signal.

HDMI Compatible Devices

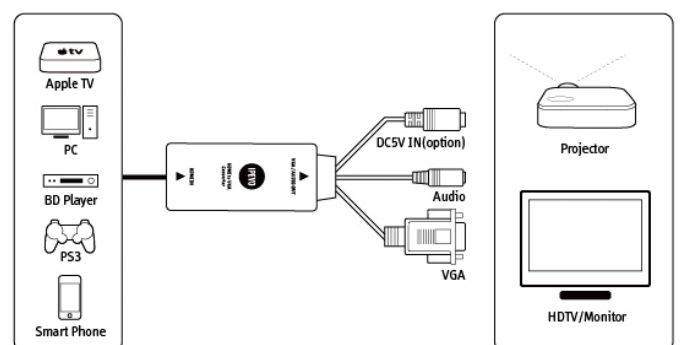
The HDMI to VGA Converter is compatible with a wide variety of HDMI devices, including but not limited to:

- Apple TV
- DVD and Blu-Ray players
- PCs and Macs
- Gaming consoles such as the Playstation 3 and Xbox 360
- iPad 3 and iPad 2 (with the Apple Digital AV adapter)
- Set-top cable boxes

Installing The Converter

Installing the HDMI to VGA Converter takes just a few steps:

1. Plug in your HDMI device's HDMI cable (not included) into the HDMI port of the Converter.
2. Plug in your monitor or projector's VGA cable into the VGA port of the Converter. (VGA cable not included.)
3. If you are converting audio as well as video, connect a 3.5mm audio cable (not included) to the audio port of the Converter, then connect the cable to your audio device.
4. Your HDMI device may provide sufficient power to the Converter. Consult your HDMI device's manual for details. If your HDMI device cannot power the Converter, connect the AC adapter to the AC port of the Converter box, then plug into an electrical outlet.
5. The Converter will now instantly transform HDMI signal into VGA and Audio signal.



Using the Converter with Apple TV

The HDMI to VGA Converter may be used with Apple TV (which outputs in HDMI) and VGA display devices. AC adapter is not needed when converting signals from Apple TV because Apple TV can power the Converter. Follow the steps outlined on Page 1 and omit Step 4 to setup the Converter with Apple TV.



Apple TV Troubleshooting

In the event that an image does not appear when you connect the HDMI to VGA Converter to Apple TV and your VGA display device, press and hold both the Menu and Up buttons on your Apple TV remote control (see diagram) until the LED indicator on the Apple TV box flashes.

The LED flash lets you know that Apple TV is entering Black Screen Recovery mode. Apple TV will cycle through several resolutions to find the best match for your display device. Please allow 3 to 5 minutes for this process to complete and for an image to appear.



Note: Please note that a projector or monitor supporting resolution 720P and above is required for the image to properly display. Image may not appear when connected to a projector or monitor that does not support 720P resolution.

Using the Converter with Apple's iPad

With an Apple Digital AV Adapter and the HDMI to VGA Converter, you can display content from iPad (2nd and 3rd generations only) on VGA projectors and monitors. To do so:

1. Plug in the Apple Digital AV Adapter into the iPad 2/iPad 3
2. Connect the HDMI cable (not included) between the Digital AV Adapter and the HDMI to VGA Converter.
3. Connect a VGA cable between the HDMI to VGA Converter and your projector or monitor's VGA input.
4. Plug in the AC adapter for the HDMI to VGA Converter.
5. Connect a 3.5mm audio cable between the HDMI to VGA Converter and your audio device if necessary.

Additionally, you can plug your iPad's power cord into the 30-pin connector on the Digital AV Adapter. This setup allows you to charge your device while it is being used, which is ideal for long sessions.



Any questions?

For concerns or questions with this product, please send our Customer Support department an email at cs@ipevo.com.